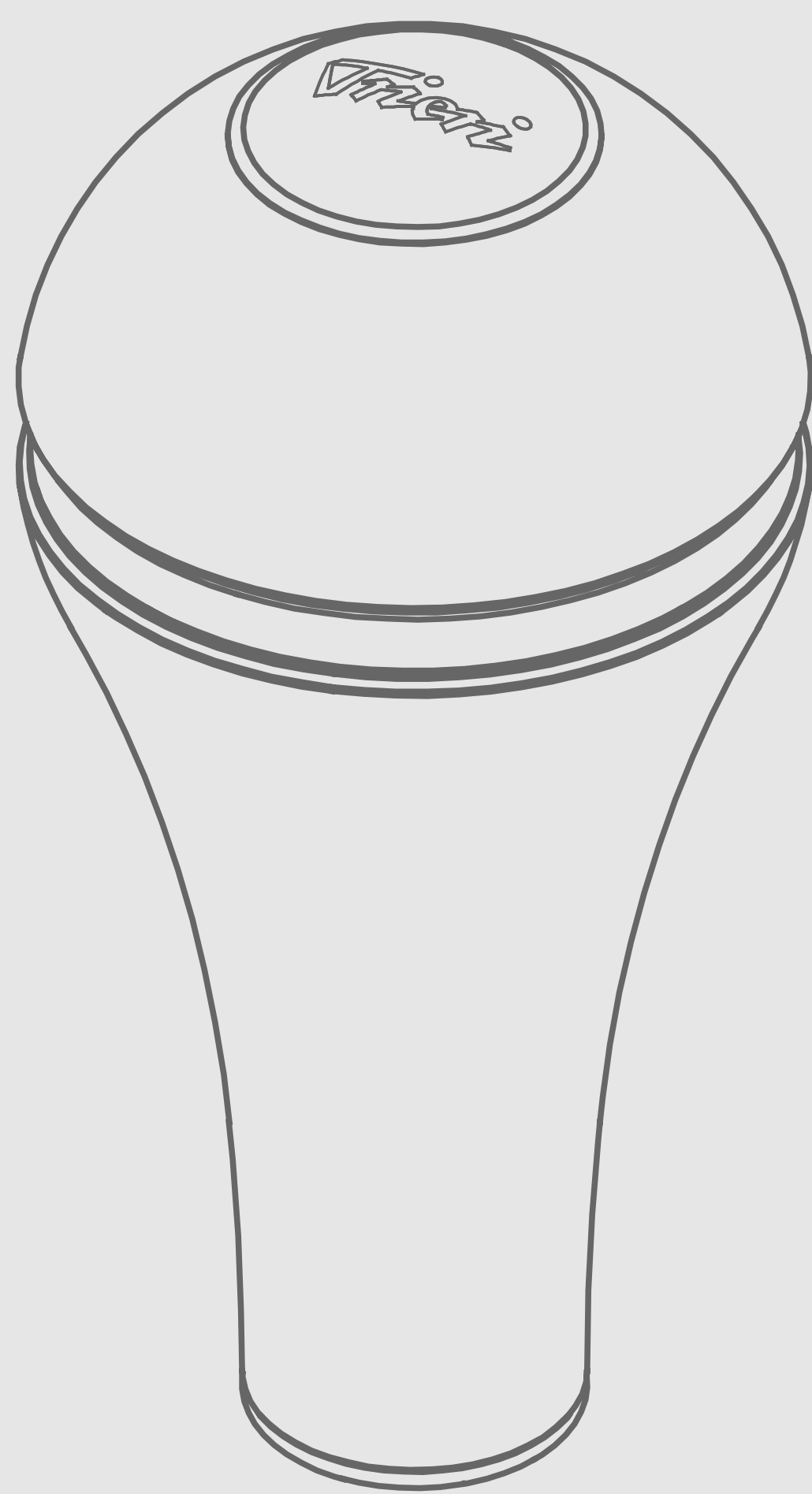
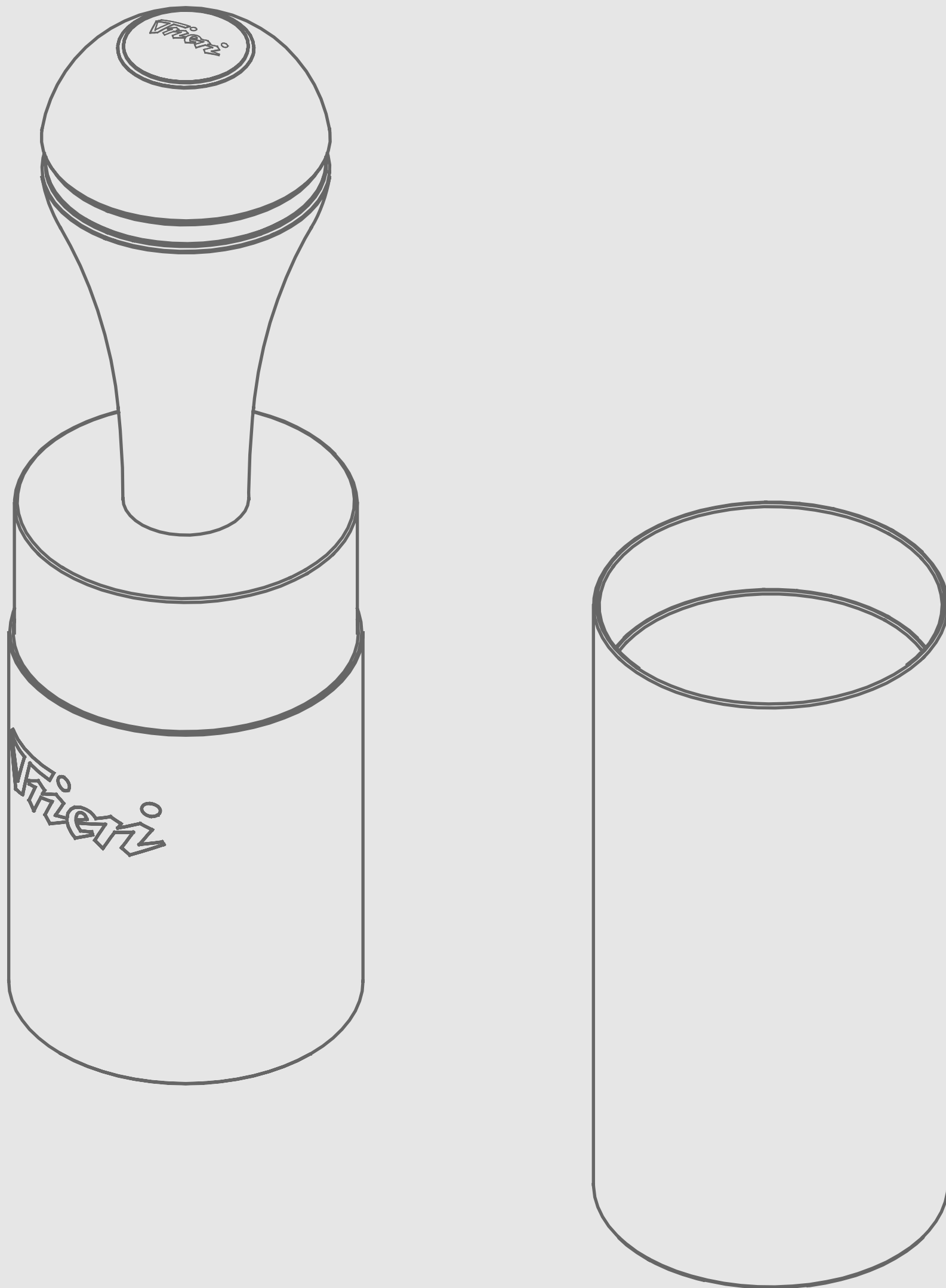


Frieri



SHIFT KNOB
USER MANUAL

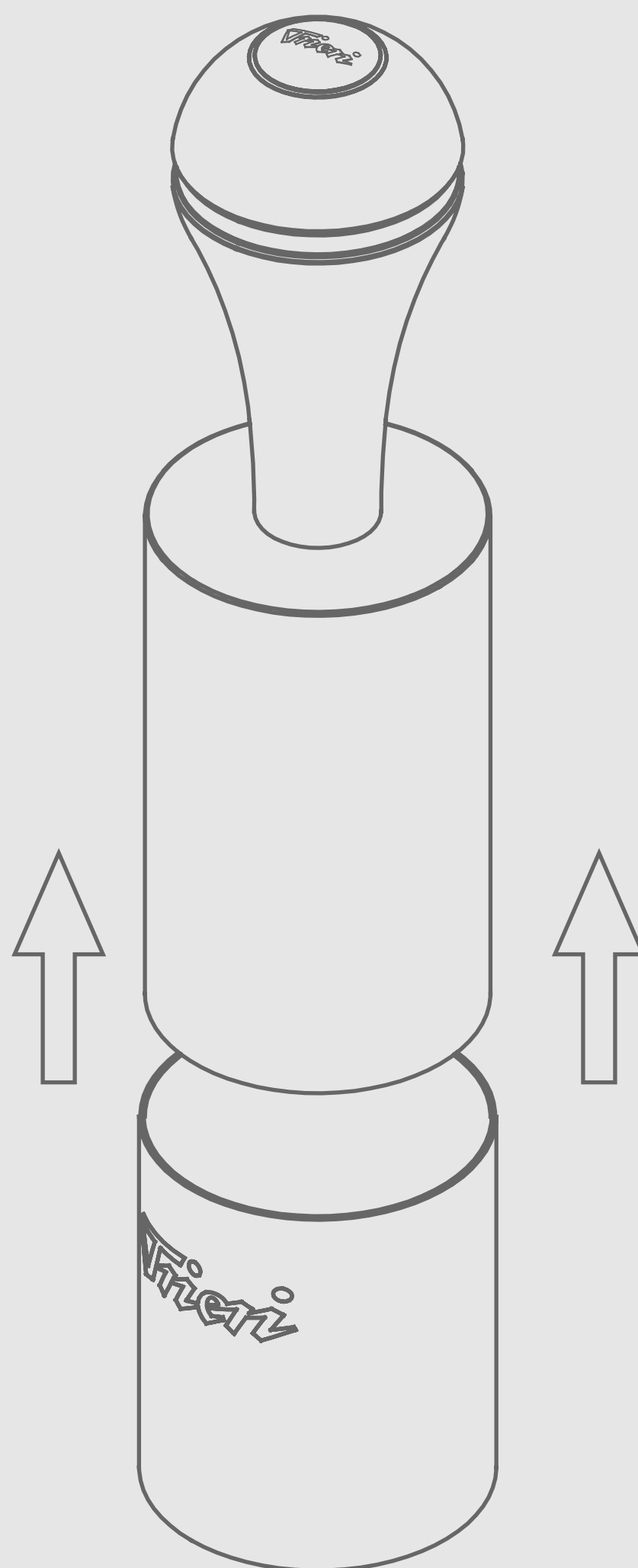
Frieri



STEP #1

First, pull the top box up and put it on the side. You will recognize top from the bottom part by Logo orientation and placement on the lower part of the box.

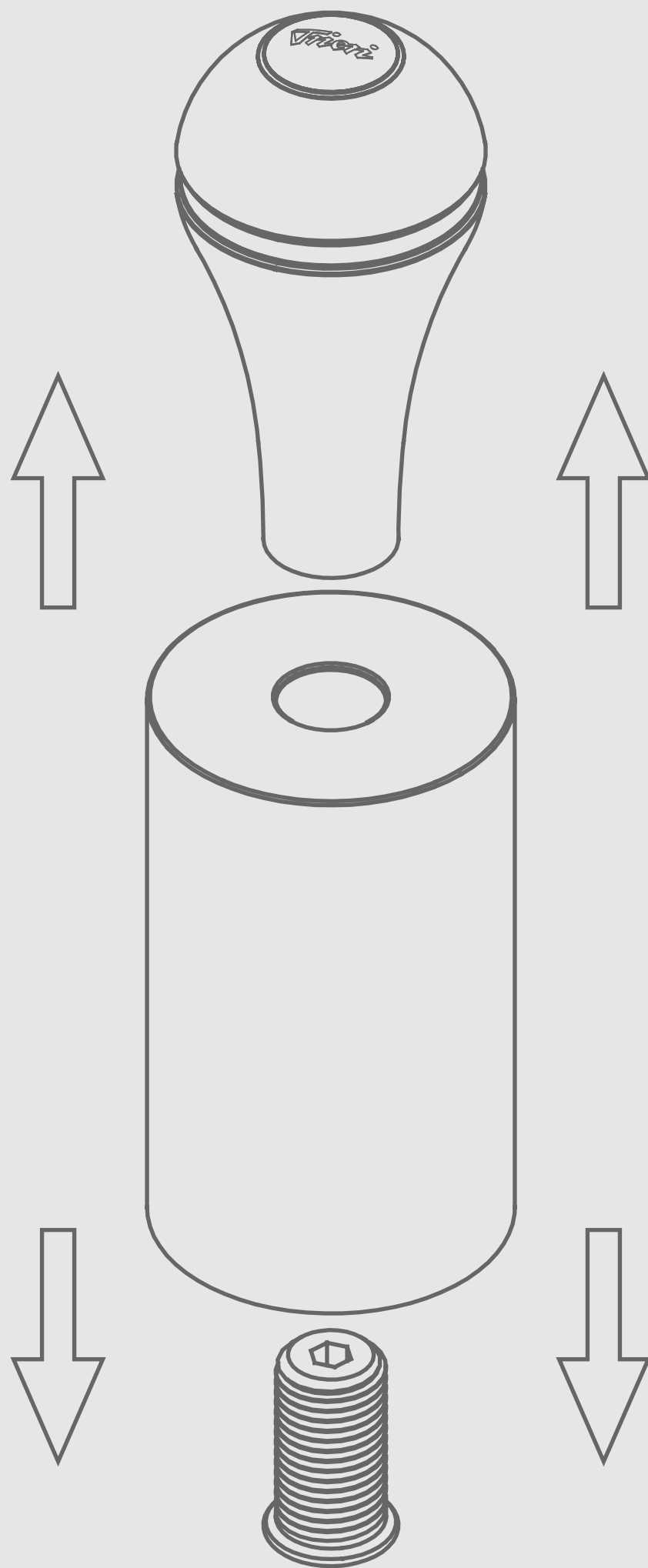
Frieri



STEP #2

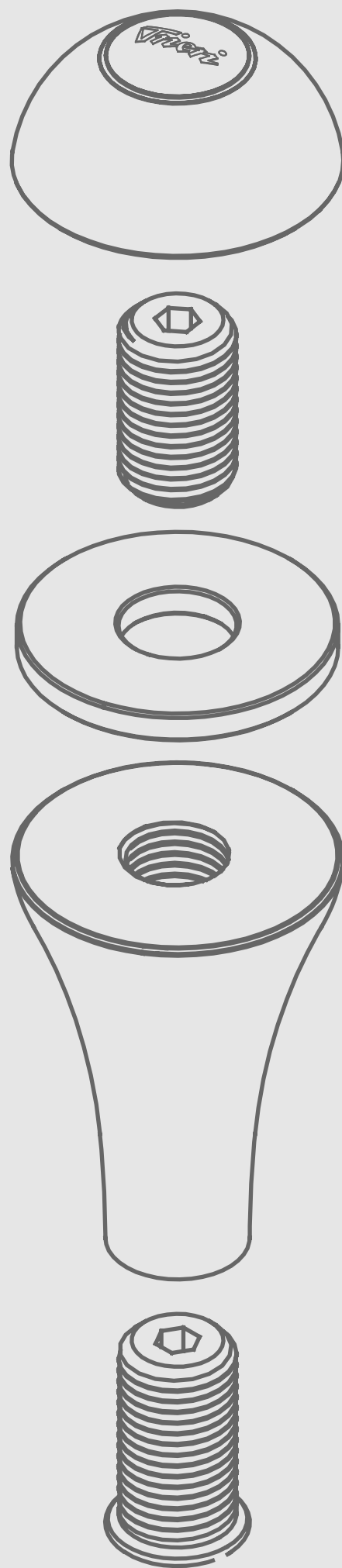
Pull the shift knob together with bottom inner box insert out of the outer part

Frieri



STEP #3

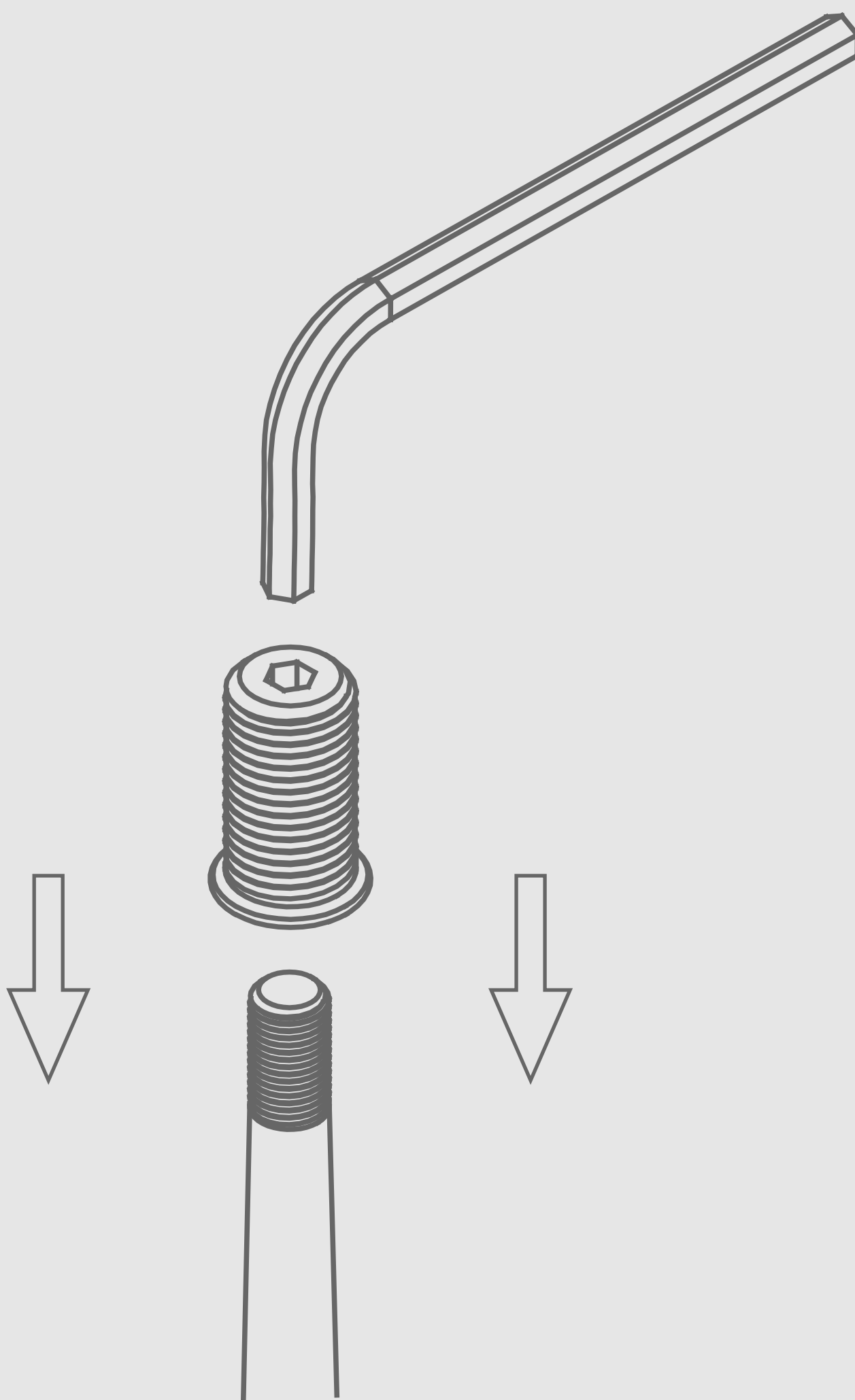
Unscrew the shift knob from the box insert and pull out the shift knob adapter from inside.



STEP #4

Unscrew the rest of the parts from your Trieri shift knob assembly.

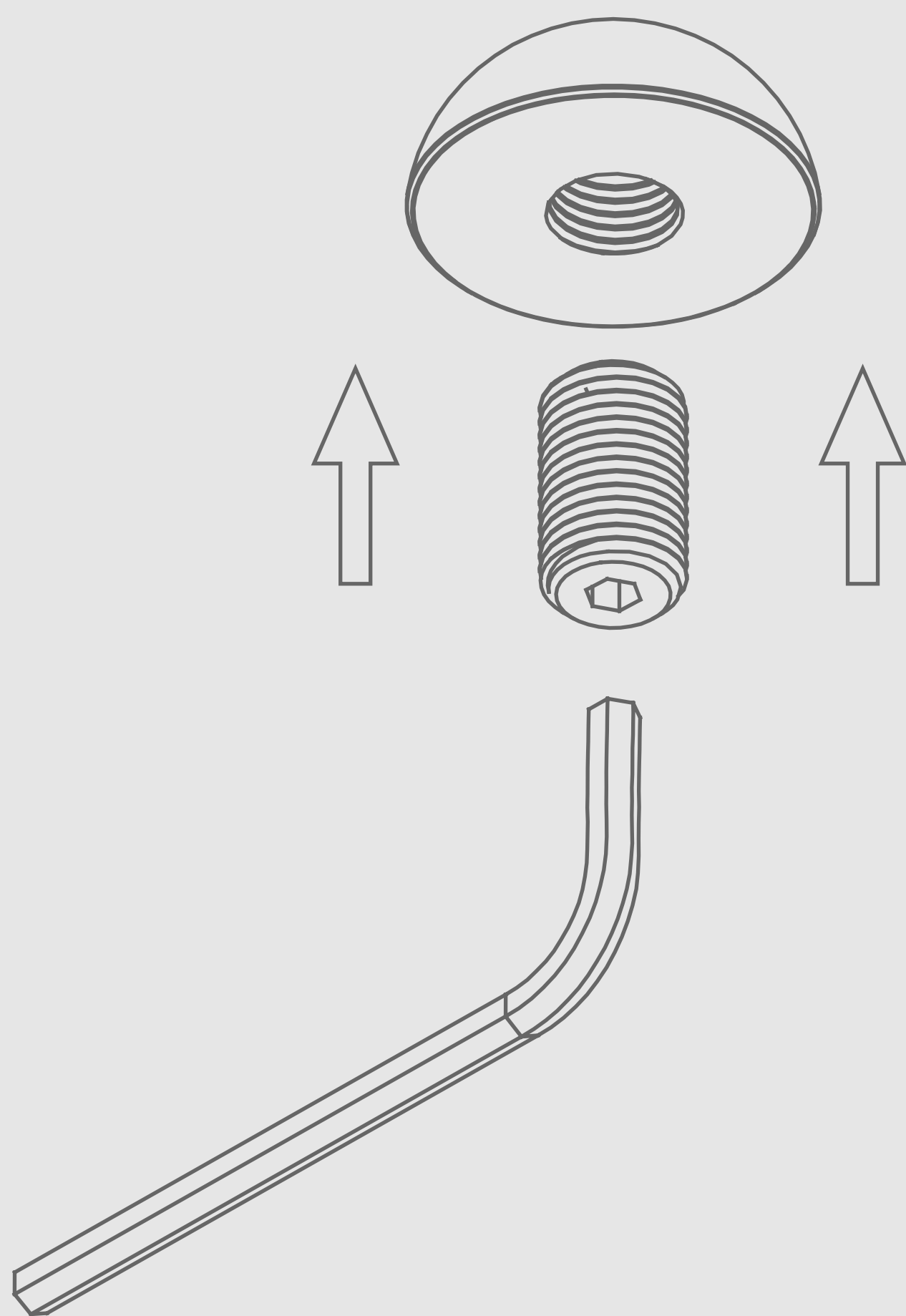
Frieri



STEP #5

Use the allen key to tight down and test fit the adapter with the correct inner thread for your car.

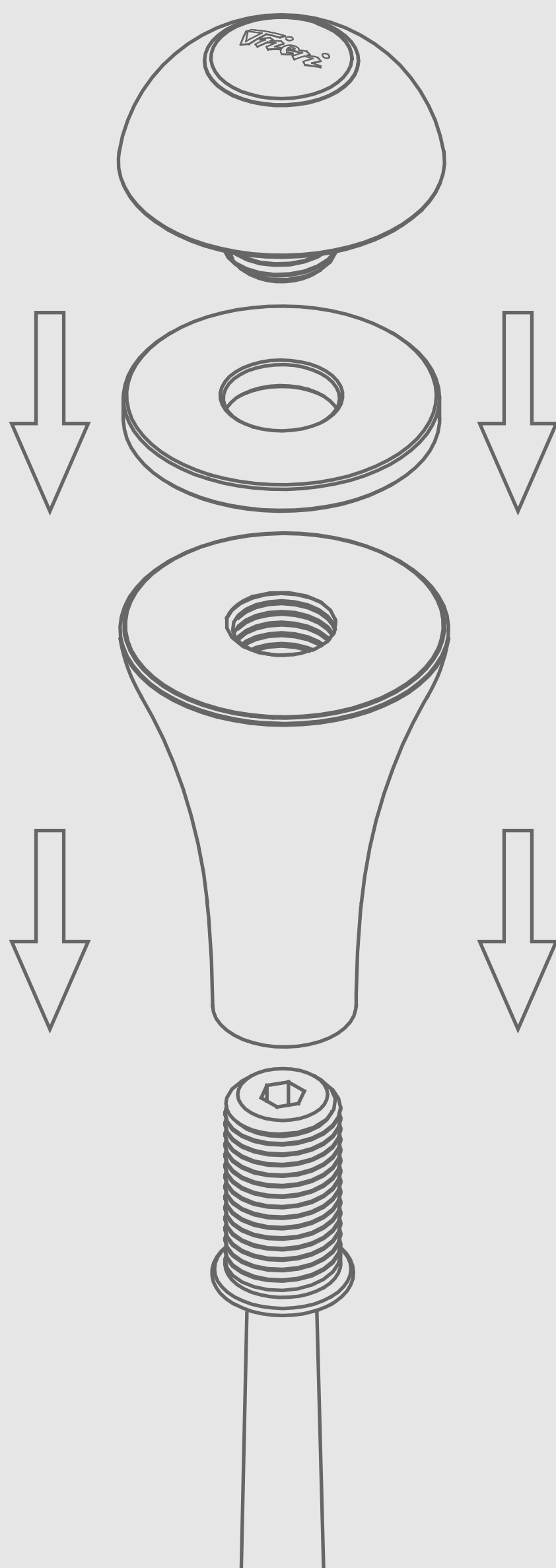
Frieri



STEP #6

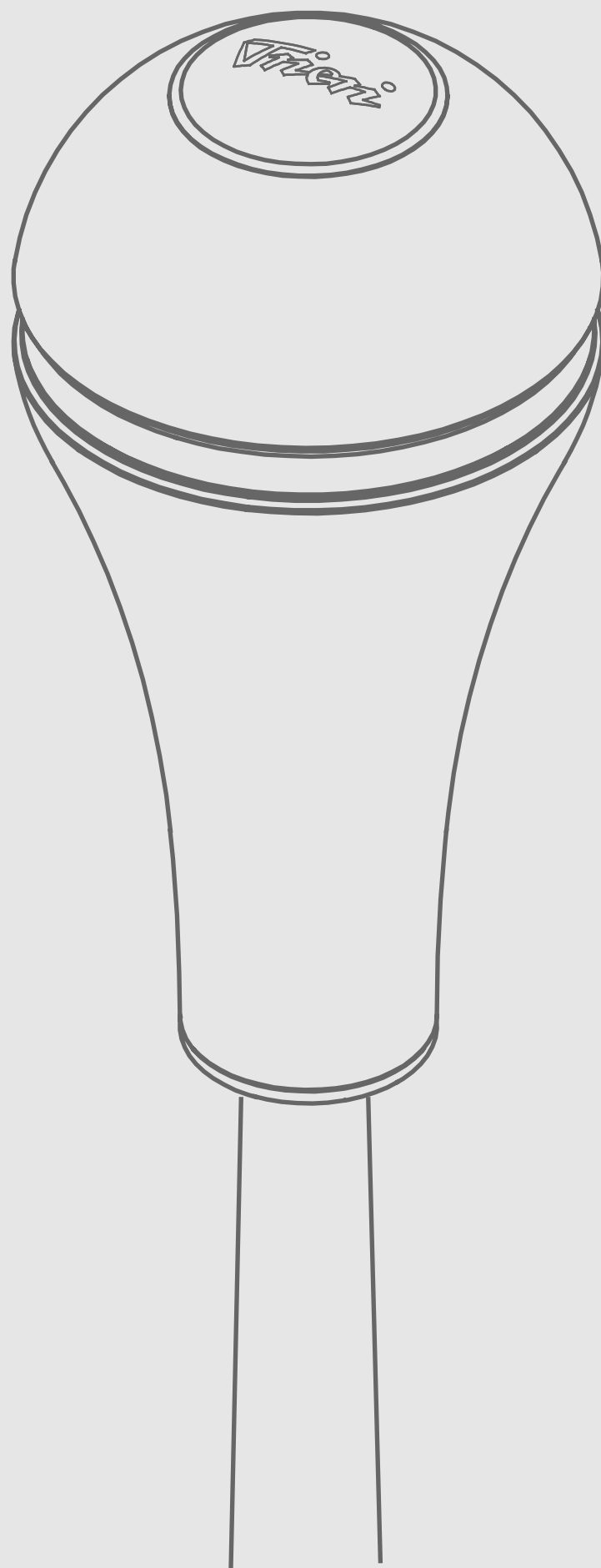
Use the allen key to tight down and test fit the top adapter to the upper part of your shift knob.

Trieri



STEP #7

Screw down the bottom part of your shift knob to your adapter that you had previously tighten down to your shifter. Then screw down the top part through the center ring to your lower part of the Trieri shifter assembly.



STEP #8

After you finished assembling your Trieri shift knob you are ready to go. You can also unscrew the assembly and screw it back on with thread lock glue applied depending on some material combinations and finishes. If you have any further questions or concerns please contact us at info@trieri.hr